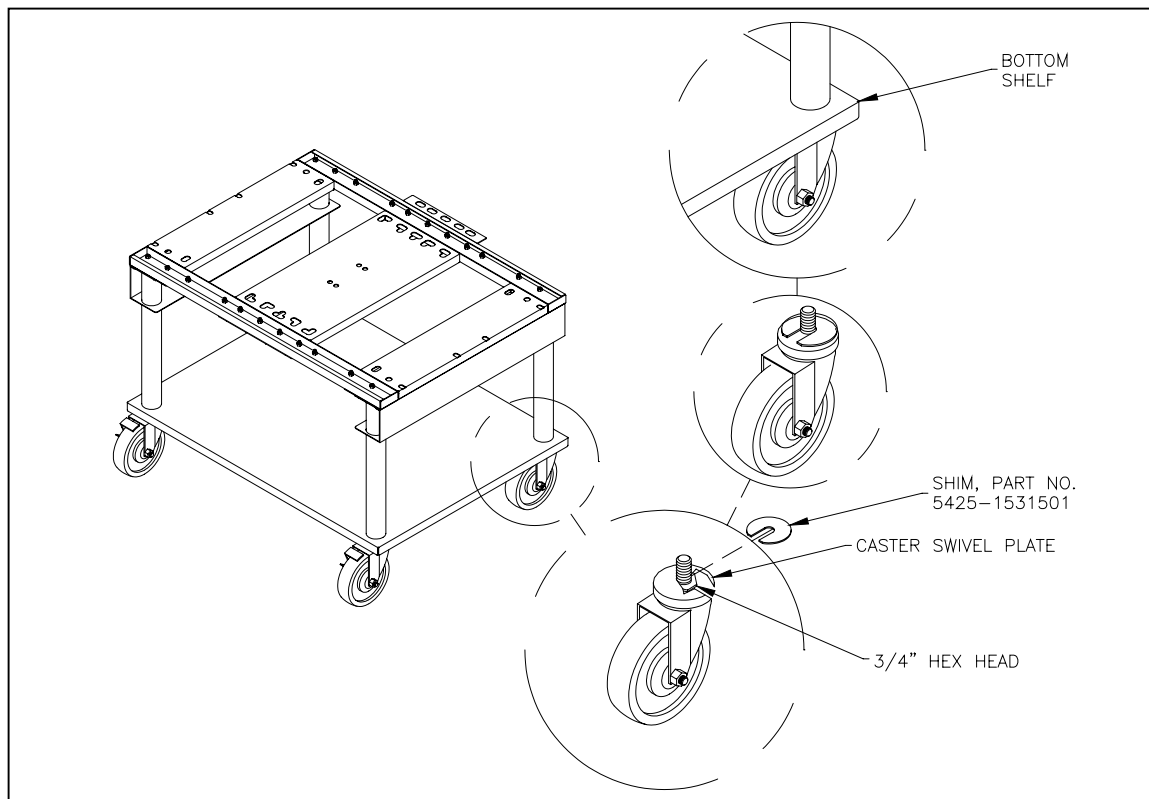




INSTRUCTIONS FOR USING EQUIPMENT STAND LEVELING SHIMS, MAGIKITCH'N PART NO. 5425-1531501



INSTALLATION PROCEDURE:

Note: Shims are used on equipment stands with casters only, and the shims can only be used to raise the height of the stand. **DO NOT** use more than three shims per caster.

Step 1- Identify the end or corner of the stand that needs to be raised, remove the weight load from the caster to receive the shim(s).

Step 2- Using a 3/4" open ended wrench, loosen and turn the 3/4" hex head located under the caster swivel plate CCW. This will lower the caster away from the bottom shelf.

Step 3- Once you have lowered the caster, insert required amount of shims between the caster swivel plate and the bottom shelf, see diagram above.

Step 4- Re-tighten 3/4" hex head CW to insure that the casters are secured to the equipment stand legs.

Step 5- Check the equipment stand to see that it is level, repeat steps 2 through 5 as necessary.